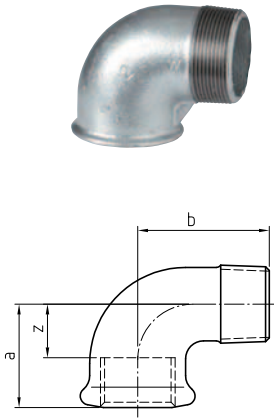


92

(A4)

GOMITO M/F 90°



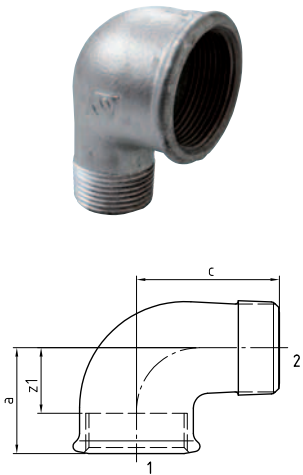
MISURA	CODICE	DIMENSIONI (mm)			Peso (gr)
		a	b	z	
1/8"	09201/5000	19	25	12	23
1/4"	09201/5001	21	28	11	37
3/8"	09201/5002	25	32	15	61
1/2"	09201/5003	28	37	15	96
3/4"	09201/5004	33	43	18	126
1"	09201/5005	38	52	21	200
1 1/4"	09201/5006	45	60	26	390
1 1/2"	09201/5007	50	65	31	408
2"	09201/5008	58	74	34	616
2 1/2"	09201/5009	69	88	42	1178
3"	09201/500A	78	98	48	1619
4"	09201/500C	96	118	60	2300

1/5 - 1= Nera - 5= Zincata

92R

(A4)

GOMITO RIDOTTO M/F 90°

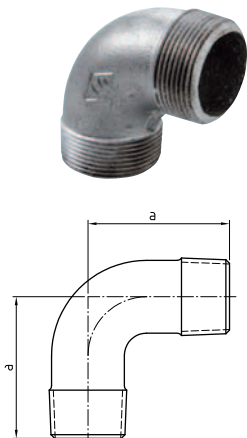


MISURA	CODICE	DIMENSIONI (mm)			Peso (gr)
		a	c	z1	
1/2" - 3/8"	09201/5032	26	33	13	56
3/4" - 1/2"	09201/5043	30	40	15	96
1" - 3/4"	09201/5054	35	46	18	180
1 1/4" - 1"	09201/5065	40	56	21	255
1 1/2" - 1"	09201/5075	47	62	28	361
1 1/2" - 1 1/4"	09201/5076	52	64	33	345
3/8" - 1/2"	09201/5023	28	37	18	99
1/2" - 3/4"	09201/5034	34	42	21	150
3/4" - 1"	09201/5045	39	50	24	234
1" - 1 1/4"	09201/5056	44	59	27	351

1/5 - 1= Nera - 5= Zincata

94

GOMITO M/M 90°



MISURA	CODICE	DIMENSIONI (mm)	Peso (gr)
		a	
3/8"	09401/5002	29	37
1/2"	09401/5003	37	65
3/4"	09401/5004	40	106
1"	09401/5005	47	185
1 1/4"	09401/5006	56	295
1 1/2"	09401/5007	59	341
2"	09401/5008	68	564

1/5 - 1= Nera - 5= Zincata